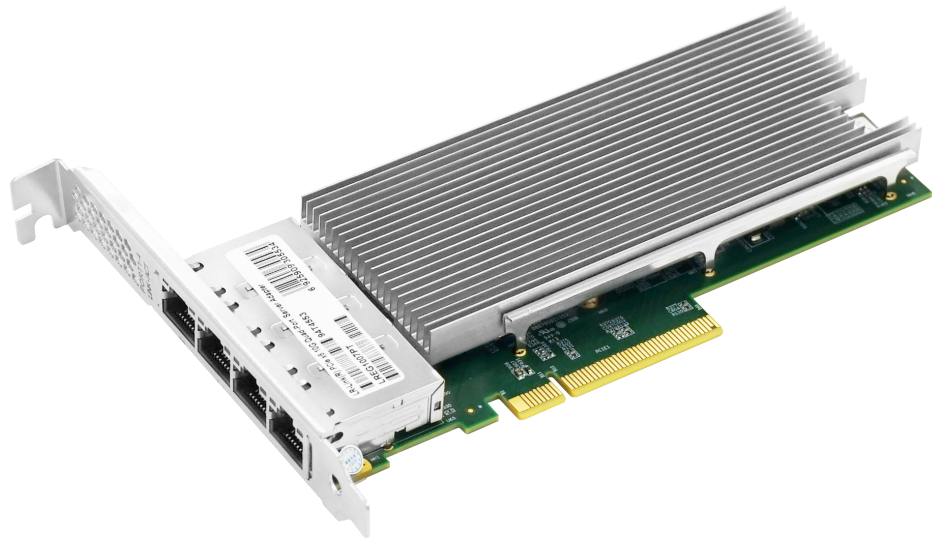


LREG1007PT

—PCIe x8 Quad-port 10Gigabit Copper Ethernet Network Adapter(XILINX)

Overview



LREG1007PT is a 10G intelligent network adapter based on the chip solution independently developed by Linkreal CO.,Ltd. The product integrates four 10Gigabit Ethernet Medium Access Controller (MAC) and RJ45 port, which not only has the functions of Ethernet MAC and PHY layer, but also can effectively manage network traffic.

The product is mainly designed for cloud computing, network security and industrial control scenarios. It provides kernel mode and user mode drivers to adapt to different operating systems. The product supports hardware virtualization, multi-queue and other offloading functions, which can effectively reduce CPU overhead.

It meets the needs of network traffic, business offloading, accelerated processing, virtualization and big data computing, and is an ideal solution to achieve high-performance network applications.

Key Features

1. This product is mainly designed for scenarios such as cloud computing, network security, and industrial control
2. Its bandwidth capacity is 40Gbps
3. It supports DPDK high-performance data receiving and sending packets
4. It supports forwarding functions based on MAC and VLAN.

Specifications

Controller	Xilinx FPGA
Cable medium	Copper
Cable Type	10GBase-T & 1000MBase-T
Bracket Height	Low Profile & Full Height
Power (min)	18.42W
Power (max)	33W
System Support	Windows 10
	Windows 11
	Windows 2022
	Centos7.9
Bus Type	PCIe 3.0 x8
Data rate per port	1G/10Gbps
Connector	4*10G RJ45
Power Supply	PCIe
ESD_Contact Discharge	±6KV
Lightning Surge	±1KV (common-mode)

Technical Features

Protocol Support	IEEE 802.1P IEEE 802.1AX	IEEE 802.1Q IEEE 802.3X	IEEE 802.1AD
PXE	No		
DPDK	Yes		
WoL	No		
Jumbo Frames	9.7KB		
SR-IOV	Yes		
UEFI	No		

Environment Features

Operating Temperature	0℃ to 55℃ (32 ℉ to 131 ℉)
Storage Temperature	-40 ℃ to 85 ℃ (-40 ℉ to 185 ℉)
Storage Humidity	Maximum: 90% non-condensing relative humidity at 35 ℃
Certification	FCC, CE, RoHS

Physical Features

PCB Size(mm)	164*68.9*1.6
Package Size(mm)	222*147*28

LED Indicators

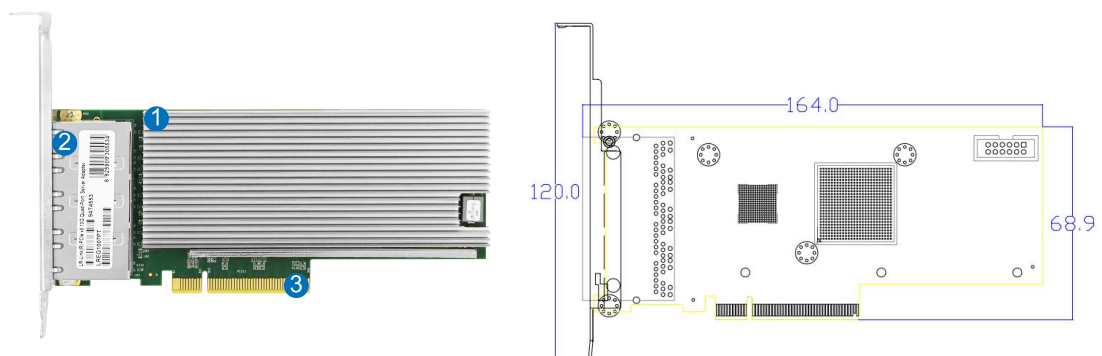
1/10G	Connection Status	Green Link
	Transfer status	Green Link + Orange Blink

Order Information

P/N	Description
LREG1007PT	PCIe x8 Quad-port 10Gigabit Copper Ethernet Network Adapter(XILINX)

PS: Above details are only for reference, if there is any change, no prior notice.

Product Structure



1. Heat sink
2. 4*10G RJ45
3. Golden finger interface

PS: The picture is for reference, and the actual product shall prevail.

Companion Products

Fiber NIC

- § LR-LINK PCI 100FX Desktop Adapter
- § LR-LINK PCIe 100FX Desktop Adapter
- § LR-LINK PCI 1000BASE-SX/LX Desktop Adapter
- § LR-LINK PCIe 1000BASE-SX/LX Desktop Adapter
- § LR-LINK PCIe 1000BASE-SX/LX Server Adapter
- § LR-LINK PCIe 10GBASE-SX/LX Server Adapter
- § LR-LINK PCIe 25GBASE-SX/LX Server Adapter
- § LR-LINK PCIe 40GBASE-SX/LX Server Adapter
- § LR-LINK PCIe 100GBASE-SX/LX Server Adapter

Copper NIC

- § LR-LINK PCI 10/100Mbps Desktop Adapter
- § LR-LINK PCIe 10/100Mbps Desktop Adapter
- § LR-LINK PCI 10/100/1000Mbps Desktop Adapter
- § LR-LINK PCIe 10/100/1000Mbps Desktop Adapter
- § LR-LINK PCIe 10/100/1000Mbps Server Adapter
- § LR-LINK PCIe 100/1G/10Gbps Server Adapter
- § LR-LINK PCIe 1G/2.5G/5G/10Gbps Server Adapter

Download Drivers

To get the drivers, please visit us at: <http://www.lr-link.com/support/driver.html>.

Product Quick Guide

To know the network card basic knowledge to choose the suitable NIC you need, please visit us at: <http://www.lr-link.com/productchoose.html>.

Customer Support

LR-LINK customer Support Services offers a broad selection of programs including phone support and warranty service. For more information, contact us at Service and availability. <http://www.lr-link.com/contactus.html>

Linkreal CO.,LTD.

Linkreal CO.,LTD. is an efficient Ethernet adapter design company with independent research and development,using Intel,Net-swift,Tehuite,Broadcom,Realtek and other manufacturers Ethernet controller, developed by our company's independent R&D design team, manufactured by our company workshop, and then sell.

Declaration

Our products specifications come from modifying the chip manufacturer's specifications released. Product features, technical parameters, technology right, intellectual property rights and brand names etc. mentioned in specifications are just referenced only. There is no infringement meaning. If there is any important and sensitive content related, please contact our Lianrui company, we'll delete them, Thank you.

Linkreal CO.,LTD.

ADD:9/10F 1B Block ECO Valley, Longgang Street, Longgang District Shenzhen China 518116 (Factory)
14F T10 Bldg., Sino-Ocean New World, Longcheng Street, Longgang District Shenzhen China 518172 (Office)
Tel:+86(0)755-33671531 33671533
Fax:+86(0)755-29082065
Product Sales service@lr-link.com
Technical Support support@lr-link.com
WEB www.lr-link.com



Copyright © Linkreal CO.,LTD.2006-2021. All rights reserved