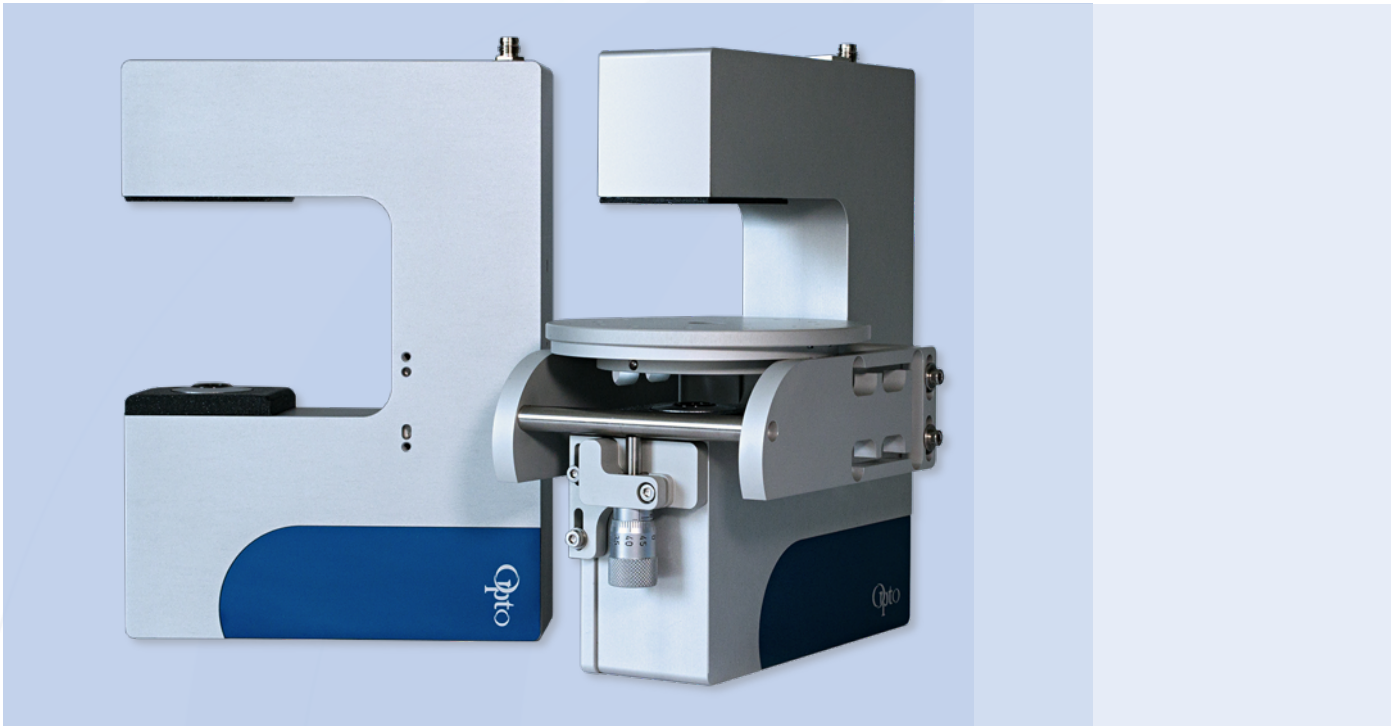


IM•profile M

Transmitted light digital microscope



Specification • USB 3.1 | GigE

IM•profile M

Integrated transmitted light (for colour modules = white [4000K]; for monochrome modules = red [632 nm])

System Mag.	FoV [mm]	WD [mm]	Resolution [LP/mm]	Object Space [µm/Px]	DoF [mm]	Image	Interface	Item number
20 x	0.42 x 0.35	3.6	810	0.2	0.003	mono	USB 3.1	IP10-08x03MU5201
20 x	0.42 x 0.35	3.6	900	0.2	0.003	colour	USB 3.1	IP10-08x03CU5101
10 x	0.84 x 0.71	13	630	0.3	0.008	mono	USB 3.1	IP10-07s23MU5201
10 x	0.84 x 0.71	13	710	0.3	0.008	colour	USB 3.1	IP10-07s23CU5101
5 x	1.7 x 1.4	31	250	0.7	0.05	mono	USB 3.1	IP10-06q33MU5201
5 x	1.7 x 1.4	31	280	0.7	0.05	colour	USB 3.1	IP10-06q33CU5201
20 x	0.42 x 0.35	3.6	810	0.2	0.003	mono	GigE	IP10-08x03MG5201
20 x	0.42 x 0.35	3.6	900	0.2	0.003	colour	GigE	IP10-08x03CG5101
10 x	0.84 x 0.71	13	630	0.3	0.008	mono	GigE	IP10-07s23MG5201
10 x	0.84 x 0.71	13	710	0.3	0.008	colour	GigE	IP10-07s23CG5101
5 x	1.7 x 1.4	31	250	0.7	0.05	mono	Gig	IP10-06q33MG5201
5 x	1.7 x 1.4	31	280	0.7	0.05	colour	GigE	IP10-06q33CG5201

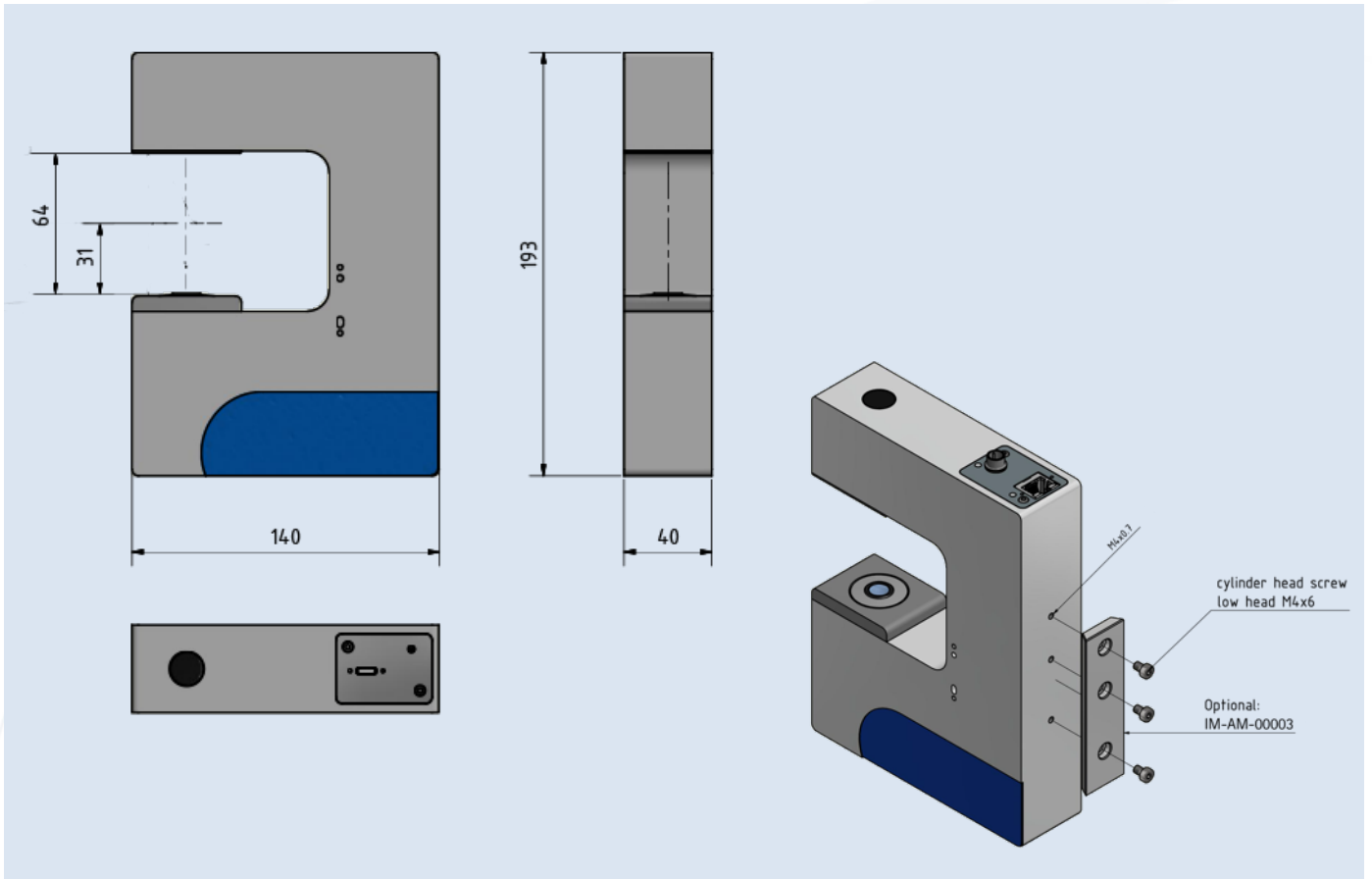
Image Sensor : IMX264 5MP

Interface: USB 3.1 Gen.1, Type C / GigE RJ45 | 24V | M8 Plug | 4 pol

Weight [g]: 1400 | CE / RoHS / WEEE-Reg.-No. DE 68564667 | OptoViewer 2.0 Software included



Technical Drawing



Accessories

IM-AM-00001 - Manual XYZ Φ Stage for profile M



IM-AM-00002 - Adapter plate for mounting on a breadboard

