

HIGH-SPEED CAMERA

PRODUCT CATALOG





Manufacturer of World-Class Sensor

HIGH-SPEED CAMERA

Some Performances of SinceVision Products have been leading the world



01 INTRODUCTION

SinceVision, established in 2014 by a team of Ph.D. graduates from the National University of Defense Technology, is a high-tech enterprise deeply engaged in the fields of high-end precision sensors and high-speed cameras. The company integrates research and development, production, and sales.

Since its establishment, SinceVision has successively launched a series of products, including 3D Laser Profiler, Laser Displacement Sensor, Spectral Confocal Displacement Sensor, Through-Beam Edge Sensor, and Color Sensors, breaking the long-term monopoly of similar foreign products. These products have entered mass production across dozens of product lines. In 2021, SinceVision expanded into the scientific research and defense markets by introducing a highly competitive High-Speed Camera product line, which quickly became the leader among domestic brands due to its excellent cost-performance ratio and top-tier quality. Its "high-speed image processing technology" and "large-capacity data storage technology" are among the best in China.

SinceVision remains committed to customer-centricity, efficient product development and service, and independent innovation. Upholding the principle of "openness, inclusivity, and mutual benefit," SinceVision continues to provide customers with the most cost-effective products and services, contributing to advancements in the high-speed vision field.

Founded in **2014**

More than **10** series entered mass sales

High-speed Camera

Gradually leading a new benchmark in the industry

Driven by **Customer Demand**



02 MILESTONE

2014

April

Shenzhen SinceVision Technology Co.,Ltd. was officially established

2016

March

Released the first generation of 3D Laser Profiler the SR7000 series.

2017

March

Obtained the titles of "National High-tech Enterprise" and "Shenzhen Industrial Stable Growth Enterprise."

2018

March

Released 3D laser profile the SR8000 series

August

SinceVision completed Round A financing

2021

March

Released 3D Laser Profiler the SR9000 series

September

SinceVision completed Round B financing

December

Released Laser Displacement Sensor - the SD series

2020

March

Released 3D Laser Profiler the SR5000 series

June

Released Spectral Confocal Displacement Sensor - the SC series

December

Established offices in Chengdu and Beijing, expanding services to the Southwest and North China regions.

2019

March

The East China office was officially established in Kunshan to serve the Yangtze River Delta region.

November

SinceVision completed Round A+ financing

December

Released Laser Displacement Sensor the SG series and the SGI series

2022

April

SinceVision completed Round B+ financing, co-led by MPC and GL Ventures. SinceVision entered the scientific research and defense markets, launching the first generation of High-Speed Camera - the SH6 series.

September

SinceVision obtained "CE Certification," "FCC Certification," "KC Certification," "Precision Certification," "ISO9001 Certification," "ISO14001 Certification," and "Social Accountability Management System Certification."

December

Released Through-Beam Edge Sensor - the SE1 series
Established offices in Dongguan, Hefei, Xi'an, and other regions, covering nationwide services.

2023

June

Released High-Speed Camera the SH3 series and Through-Beam Edge Sensor- the SE2 series

September

SinceVision completed Round C financing, led by the Advanced Manufacturing Fund managed by SDIC Fund Management Co., Ltd., with follow-on investment from GL Ventures. SinceVision was awarded the title of "National new special 'Small Giant' Enterprise."

October

Formally established the International Department, developing markets in Southeast Asia and Europe, with a service network covering the globe.

2024

February

Released 3D Laser Profiler the SRI series

March

Released white light spot photoelectric sensor - the SS1 series and Laser Displacement Sensor - the SDC series

June

Released High-Speed Camera-the SH2 series and Spectral Confocal Displacement Sensor- the SCI series

03

HONORARY CERTIFICATE



Honor

National high-tech enterprise
National-level specialized, sophisticated and innovative "little giant" enterprise
Specialized, sophisticated and innovative, small and medium-sized enterprise in Shenzhen
Shenzhen industrial stable growth enterprise
Member enterprises of the Machine Vision Industry Union
Top 10 Fast Growing Enterprises in Shenzhen
Excellent Enterprises in the National Innovation and Entrepreneurship Competition



Intellectual Property

52 invention patents
48 utility model patents
15 appearance patents
23 registered trademarks
57 computer software copyrights



Qualification

ISO9001 Quality Management System Certification
ISO14001 Environmental Management System Certification
GB/T 39604-2020 Social Responsibility Management System Certification
Product certification of CE
Product certification of FCC
Product certification of EMC
10 international certifications in ROHS

Openness, Inclusiveness, Win-win



SHENZHEN SINCEVISION TECHNOLOGY CO., LTD.

CONTENTS

01	Product Catalogs	07
02	Ultra High-Speed Series	09
03	High-speed HD Series	15
04	Ultra HD Series	25
05	MINI Series	31
06	Smart Series	41
07	Dimensional Drawings	47

01

Product Catalogs

Series	Model	Full Frame Resolution	Full Frame Rate	Pixel Size	Data Interface	
SH6 Ultra High-Speed Series	109	1280×1024	9500FPS	14.6μm	10GigE/GigE	
	113	1280×1024	13800FPS	14.6μm	10GigE/GigE	
	116	1280×1024	15800FPS	14.6μm	10GigE/GigE	
SH6 High-speed HD Series	201	2048×1024	1000FPS	9μm	10GigE/GigE	
	202	2048×1024	2000FPS	9μm	10GigE/GigE	
	204	2048×1024	4000FPS	9μm	10GigE/GigE	
	207	2048×1024	6600FPS	9μm	10GigE/GigE	
	501	2560×2016	1000FPS	9μm	10GigE/GigE	
	502	2560×2016	2000FPS	9μm	10GigE/GigE	
	504	2560×2016	3600FPS	9μm	10GigE/GigE	
	505	2560×2016	4500FPS	9μm	10GigE/GigE	
SH6 Ultra HD Series	802	4096×2048	2000FPS	4.5μm	10GigE/GigE	
	2101	5120×4096	1000FPS	4.5μm	10GigE/GigE	
SH3 MINI Series	101	1280×1024	1000FPS	14.6μm	10GigE/GigE	
	103	1280×1024	3000FPS	14.6μm	10GigE/GigE	
	105	1280×1024	5000FPS	14.6μm	10GigE/GigE	
	108	1280×1024	8000FPS	14.6μm	10GigE/GigE	
	202	1920×1080	2000FPS	7.8μm	10GigE/GigE	
	204	1920×1080	3600FPS	7.8μm	10GigE/GigE	
	502	2560×1920	2000FPS	7.8μm	10GigE/GigE	
SH2 Smart Series	201	1920×1080	1200FPS	10μm	10GigE/GigE	
	202	1920×1080	2200FPS	10μm	10GigE/GigE	
	203	1920×1080	3200FPS	10μm	10GigE/GigE	

	Memory	Extended Memory	Dimensions
	40GB/80GB/160GB/320GB	4TB/12TB/24TB	217D×110W×110H
	40GB/80GB/160GB/320GB	4TB/12TB/24TB	217D×110W×110H
	40GB/80GB/160GB/320GB	4TB/12TB/24TB	217D×110W×110H
	40GB/80GB/160GB/320GB	4TB/12TB/24TB	217D×110W×110H
	40GB/80GB/160GB/320GB	4TB/12TB/24TB	217D×110W×110H
	40GB/80GB/160GB/320GB	4TB/12TB/24TB	217D×110W×110H
	40GB/80GB/160GB/320GB	4TB/12TB/24TB	217D×110W×110H
	40GB/80GB/160GB/320GB	4TB/12TB/24TB	217D×110W×110H
	40GB/80GB/160GB/320GB	4TB/12TB/24TB	217D×110W×110H
	40GB/80GB/160GB/320GB	4TB/12TB/24TB	217D×110W×110H
	40GB/80GB/160GB/320GB	4TB/12TB/24TB	217D×110W×110H
	40GB/80GB/160GB/320GB	4TB/12TB/24TB	217D×110W×110H
	40GB/80GB/160GB/320GB	4TB/12TB/24TB	217D×110W×110H
	40GB/80GB/160GB/320GB	4TB/12TB/24TB	217D×110W×110H
	16GB/32GB/64GB/128GB	1.2TB/2TB/4TB	90D×110W×110H
	16GB/32GB/64GB/128GB	1.2TB/2TB/4TB	90D×110W×110H
	16GB/32GB/64GB/128GB	1.2TB/2TB/4TB	90D×110W×110H
	16GB/32GB/64GB/128GB	1.2TB/2TB/4TB	90D×110W×110H
	16GB/32GB/64GB/128GB	1.2TB/2TB/4TB	90D×110W×110H
	16GB/32GB/64GB/128GB	/	90D×110W×110H
	16GB/32GB/64GB/128GB	/	90D×110W×110H
	16GB/64GB/512GB/1TB/2TB	/	89D×72W×72H
	16GB/64GB/512GB/1TB/2TB	/	89D×72W×72H
	16GB/64GB/512GB/1TB/2TB	/	89D×72W×72H

02

Ultra High-Speed Series

The fastest domestic megapixel high-speed camera



It is a full-featured high-speed camera built by SinceVision for high-end scientific research, national defense and military industry, aerospace, high-speed industry and other fields. It adopts special customized sensors and unique circuit design, making it have an effective bandwidth of 40Gbps and excellent imaging quality. At the same time, it has rich and scalable interfaces, allowing for more possibilities for high-speed imaging applications.

Core Features

Compatible with Gigabit network

Standard 10GbE data transmission interface

Intelligent noise removal

Factory PRNU color correction

Super stability

The products have passed multiple military standard tests



Minimum Exposure Time 100ns

210ns dual-exposure time PIV

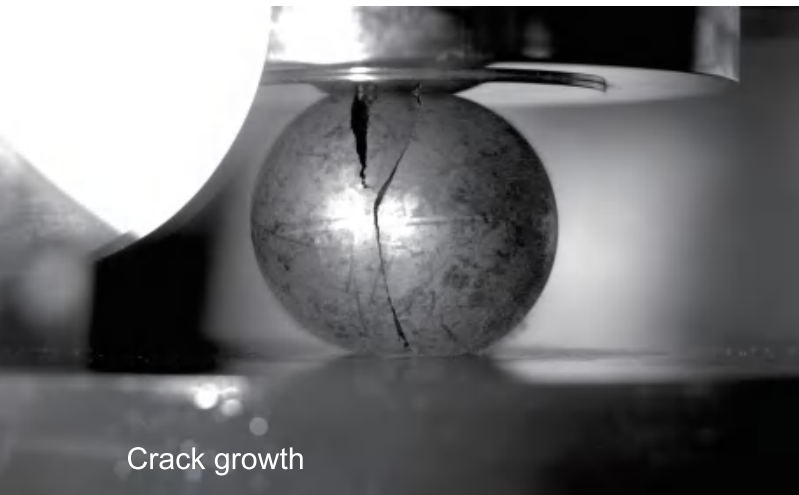
Data is not lost when power is off

Supports customized non-volatile storage up to 24TB

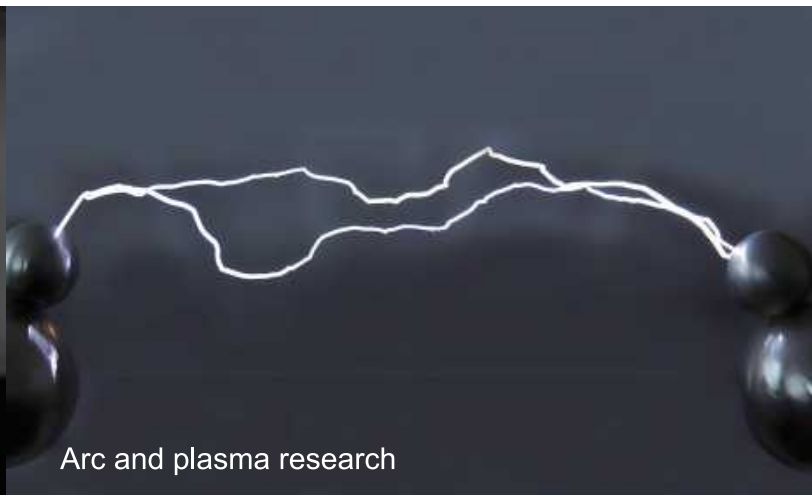
Up to 1.15 million fps

1.3 megapixel @15800fps
1 megapixel @20000fps

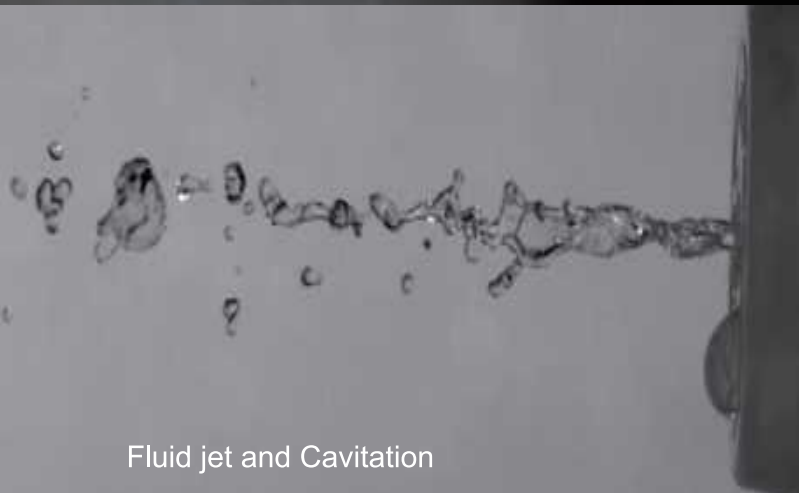
Typical Application



Crack growth



Arc and plasma research



Fluid jet and Cavitation



Damage assessment

Specifications

Model	SH6-116	SH6-113	SH6-109
Full Resolution	1280×1024	1280×1024	1280×1024
Full Frame Rate	15800fps	13800fps	9500fps
Pixel Size	14.6um	14.6um	14.6um
Minimum Exposure Time	100ns		
Standard RAM	40GB/80GB/160GB/320GB		
Extended Memory	4TB/12TB/24TB		
Dynamic Range	60dB		
Analog Gain	×2、×4、×8		
Bit Resolution	8bit		
Color	Monochrome (M) / Color (C)		
Sensitivity	ISO67000(M), ISO23000(C)		
Fan Control	Support turning on / off, adaptive rotary speed according to temperature, 5 levels adjusting manually		
Operating Temperature/Humidity	Standard -10~50°C, below 95% (without condensation), customizable -40~65°C wide temperature version		
Dimensions	217D×110W×110H excluding protrusion parts		
Weight	3.8kg		
Power Consumption	55W		

Core Features

Parameter	SH6-116	SH6-113	SH6-109
One-click connection	◆	◆	◆
Auto White Balance	◆	◆	◆
Region of Interest (ROI)	◆	◆	◆
Auto Gain Control (AGC)	◆	◆	◆

◆ Standard features ◇ Optional features

Core Features

Parameter	SH6-116	SH6-113	SH6-109
Smart positioning keyframes	◆	◆	◆
Detachable lens joint	◆	◆	◆
Memory partition	◆	◆	◆
Auto save	◆	◆	◆
Image trigger	◆	◆	◆
External trigger	◆	◆	◆
External sync.	◆	◆	◆
Image Optimization LUT	◆	◆	◆
Analog Gain	◆	◆	◆
HD-SDI	◆	◆	◆
IRIGB	◆	◆	◆
AE	◆	◆	◆
EDR	◆	◆	◆
Fan Control	◆	◆	◆
Temperature monitoring	◆	◆	◆
Military aviation plug	◆	◆	◆
10 Gigabit transmission	◆	◆	◆
Gigabit transmission	◆	◆	◆
Military standard width temperature	◇	◇	◇
Exposure time 100ns	◆	◆	◆
Extended Memory	◇	◇	◇
Dual-exposure time PIV	◆	◆	◆
Motion analysis software	◇	◇	◇
Image compression	◆	◆	◆
Software Development Kit (SDK)	◆	◆	◆

◆ Standard features ◇ Optional features

Performance

SH6-116							
Resolution	Frame rate	Recording time (memory)			Recording time (hard disk)		
		40GB	80GB	160GB	4TB	12TB	24TB
1280×1024	15800fps	2(s)	4.1(s)	8.3(s)	3.4(min)	10.3(min)	20.7(min)
1280×808	20000fps	2(s)	4.1(s)	8.3(s)	3.4(min)	10.3(min)	20.7(min)
1280×512	31500fps	2(s)	4.1(s)	8.3(s)	3.4(min)	10.4(min)	20.8(min)
1280×256	62500fps	2.1(s)	4.1(s)	8.3(s)	3.5(min)	10.4(min)	20.9(min)
1280×128	121000fps	2.1(s)	4.3(s)	8.6(s)	3.6(min)	10.8(min)	21.6(min)
1280×64	221000fps	2.3(s)	4.7(s)	9.4(s)	3.9(min)	11.8(min)	23.7(min)
1280×32	410000fps	2.5(s)	5.1(s)	10.2(s)	4.2(min)	12.7(min)	25.5(min)
1280×8	1150000fps	3.6(s)	7.2(s)	14.5(s)	6(min)	18.2(min)	36.4(min)

※ When the recording time is based on the grayscale 8 bits, the 320GB version has twice the recording time as 160GB of memory.

※ Hard disk version supports real-time writing with restricted parameters.

SH6-113							
Resolution	Frame rate	Recording time (memory)			Recording time (hard disk)		
		40GB	80GB	160GB	4TB	12TB	24TB
1280×1024	13800FPS	2.3(s)	4.7(s)	9.5(s)	3.9(min)	11.8(min)	23.7(min)
1280×768	18300FPS	2.3(s)	4.7(s)	9.5(s)	3.9(min)	11.9(min)	23.8(min)
1280×512	27400FPS	2.3(s)	4.7(s)	9.5(s)	3.9(min)	11.9(min)	23.9(min)
1280×256	54000FPS	2.4(s)	4.8(s)	9.7(s)	4(min)	12.1(min)	24.2(min)
1280×128	105000FPS	2.5(s)	4.9(s)	9.9(s)	4.1(min)	12.4(min)	24.9(min)
1280×64	192000FPS	2.7(s)	5.4(s)	10.9(s)	4.5(min)	13.6(min)	27.3(min)
1280×32	357000FPS	2.9(s)	5.8(s)	11.7(s)	4.9(min)	14.6(min)	29.3(min)
1280×8	1000000FPS	4.1(s)	8.3(s)	16.7(s)	6.9(min)	20.9(min)	41.9(min)

※ When the recording time is based on the grayscale 8 bits, the 320GB version has twice the recording time as 160GB of memory.

※ Hard disk version supports real-time writing with full frame and full frame rate.

Performance

SH6-109							
Resolution	Frame rate	Recording time (memory)			Recording time (hard disk)		
		40GB	80GB	160GB	4TB	12TB	24TB
1280×1024	9500fps	3.4(s)	6.9(s)	13.8(s)	5.7(min)	17.2(min)	34.4(min)
1280×768	13700fps	3.1(s)	6.3(s)	12.7(s)	5.3(min)	15.9(min)	31.8(min)
1280×512	20600fps	3.1(s)	6.3(s)	12.7(s)	5.3(min)	15.9(min)	31.8(min)
1280×256	40700fps	3.2(s)	6.4(s)	12.9(s)	5.3(min)	16.1(min)	32.3(min)
1280×128	78500fps	3.3(s)	6.6(s)	13.3(s)	5.5(min)	16.7(min)	33.3(min)
1280×64	144000fps	3.6(s)	7.2(s)	14.5(s)	6(min)	18.2(min)	36.4(min)
1280×8	750000fps	3.9(s)	7.8(s)	15.7(s)	6.5(min)	19.6(min)	39.2(min)

※ When the recording time is based on the grayscale 8 bits, the 320GB version has twice the recording time as 160GB of memory.

※ Hard disk version supports real-time writing with full frame and full frame rate.

03 High-speed HD Series

High-speed camera with powerful performance and comprehensive functions



The high-speed high-definition series has a maximum resolution of 5 million and a maximum frame rate of 4500fps. This series applies the industry-class high-speed image acquisition and processing technology and large-capacity lossless data storage technology, and combines the innovative circuit design of SinceVision to make it have an effective bandwidth of up to 175Gbps and excellent imaging quality.

I Core Features

Top in the field

High definition and high-quality color image

Professional ISP algorithm

Low noise control

Maximum in all series

2560x2016@4500fps



Multiple trigger modes

Intelligent image trigger

Dual-power supply

Designed for redundant power supply

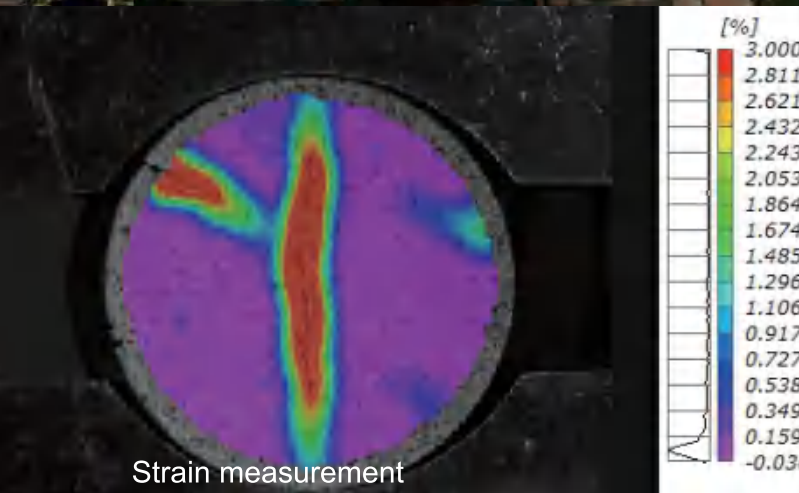
I Typical Application



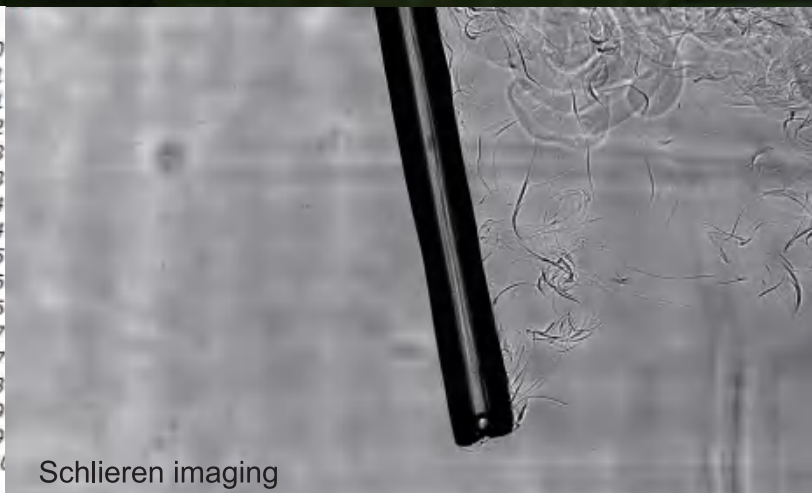
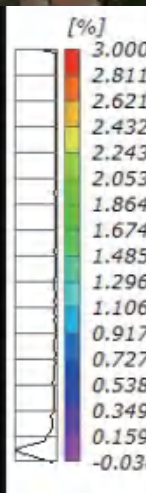
Vehicle test



Film and television production



Strain measurement



Schlieren imaging

Performance

Model	SH6-501	SH6-502	SH6-504	SH6-505
Full Resolution	2560×2016	2560×2016	2560×2016	2560×2016
Full Frame Rate	1000fps	2000fps	3600fps	4500fps
Pixel Size	9um	9um	9um	9um
Minimum Exposure Time	1us			
Standard RAM	40GB/80GB/160GB/320GB			
Extended Memory	4TB/12TB/24TB			
Dynamic Range	64dB			
Analog Gain	×2、×4、×8			
Bit Resolution	8bit			
Color	Monochrome (M) / Color (C)			
Sensitivity	ISO10000(M), ISO3000(C)			
Fan Control	Support turning on / off, adaptive rotary speed according to temperature, multiple levels adjusting manually			
Operating Temperature/Humidity	Standard -10~50°C, below 95% (without condensation), customizable -40~65°C wide temperature version			
Dimensions	217D×110W×110H excluding protrusion parts			
Weight	3.8kg			
Power Consumption	55W			

Performance

Model	SH6-201	SH6-202	SH6-204	SH6-207
Full Resolution	2048×1024	2048×1024	2048×1024	2048×1024
Full Frame Rate	1000fps	2000fps	4000fps	6600fps
Pixel Size	9um	9um	9um	9um
Minimum Exposure Time	1us			
Standard RAM	40GB/80GB/160GB/320GB			
Extended Memory	4TB/12TB/24TB			
Dynamic Range	64dB			
Analog Gain	×2、×4、×8			
Bit Resolution	8bit			
Color	Monochrome (M) / Color (C)			
Sensitivity	ISO10000(M), ISO3000(C)			
Fan Control	Support turning on / off, adaptive rotary speed according to temperature, multiple levels adjusting manually			
Operating Temperature/Humidity	Standard -10~50°C, below 95% (without condensation), customizable -40~65°C wide temperature version			
Dimensions	217D×110W×110H excluding protrusion parts			
Weight	3.8kg			
Power Consumption	55W			

Core Features

Parameter	SH6-501	SH6-502	SH6-504	SH6-505
One-click connection	◆	◆	◆	◆
Auto White Balance	◆	◆	◆	◆
Region of Interest (ROI)	◆	◆	◆	◆
Auto Gain Control (AGC)	◆	◆	◆	◆
Smart positioning keyframes	◆	◆	◆	◆
Detachable lens joint	◆	◆	◆	◆
Memory partition	◆	◆	◆	◆
Auto save	◆	◆	◆	◆
Image trigger	◆	◆	◆	◆
External trigger	◆	◆	◆	◆
External sync.	◆	◆	◆	◆
Image Optimization LUT	◆	◆	◆	◆
Analog Gain	◆	◆	◆	◆
HD-SDI	◆	◆	◆	◆
IRIGB	◆	◆	◆	◆
AE	◆	◆	◆	◆
EDR	◆	◆	◆	◆
Fan Control	◆	◆	◆	◆
Military aviation plug	◆	◆	◆	◆
10 Gigabit transmission	◆	◆	◆	◆
Gigabit transmission	◆	◆	◆	◆
Temperature monitoring	◆	◆	◆	◆
Military standard width temperature	◇	◇	◇	◇
Extended Memory	◇	◇	◇	◇
Motion analysis software	◇	◇	◇	◇
Image compression	◆	◆	◆	◆
Software Development Kit (SDK)	◆	◆	◆	◆

◆ Standard features ◇ Optional features

Core Features

Parameter	SH6-201	SH6-202	SH6-204	SH6-207
One-click connection	◆	◆	◆	◆
Auto White Balance	◆	◆	◆	◆
Region of Interest (ROI)	◆	◆	◆	◆
Auto Gain Control (AGC)	◆	◆	◆	◆
Smart positioning keyframes	◆	◆	◆	◆
Detachable lens joint	◆	◆	◆	◆
Memory partition	◆	◆	◆	◆
Auto save	◆	◆	◆	◆
Image trigger	◆	◆	◆	◆
External trigger	◆	◆	◆	◆
External sync.	◆	◆	◆	◆
Image Optimization LUT	◆	◆	◆	◆
Analog Gain	◆	◆	◆	◆
HD-SDI	◆	◆	◆	◆
IRIGB	◆	◆	◆	◆
AE	◆	◆	◆	◆
EDR	◆	◆	◆	◆
Fan Control	◆	◆	◆	◆
Military aviation plug	◆	◆	◆	◆
10 Gigabit transmission	◆	◆	◆	◆
Gigabit transmission	◆	◆	◆	◆
Temperature monitoring	◆	◆	◆	◆
Military standard width temperature	◇	◇	◇	◇
Extended Memory	◇	◇	◇	◇
Motion analysis software	◇	◇	◇	◇
Image compression	◆	◆	◆	◆
Software Development Kit (SDK)	◆	◆	◆	◆

◆ Standard features ◇ Optional features

Performance

SH6-501							
Resolution	Frame rate	Recording time (memory)			Recording time (hard disk)		
		40GB	80GB	160GB	4TB	12TB	24TB
2560×2016	1000FPS	8.3(s)	16.6(s)	33.2(s)	13.8(min)	41.6(min)	83.2(min)
2560×1536	1400FPS	7.8(s)	15.6(s)	31.2(s)	13(min)	39(min)	78(min)
2560×1280	1600FPS	8.1(s)	16.3(s)	32.7(s)	13.6(min)	40.9(min)	81.9(min)
2560×512	3000FPS	10.9(s)	21.8(s)	43.6(s)	18.2(min)	54.6(min)	109.2(min)
2560×256	4500FPS	14.5(s)	29.1(s)	58.2(s)	24.2(min)	72.8(min)	145.6(min)
2560×128	5600FPS	23.4(s)	46.8(s)	93.6(s)	39(min)	117(min)	234(min)
2560×32	14000FPS	37.4(s)	74.9(s)	149.8(s)	62.4(min)	187.2(min)	374.4(min)

※ When the recording time is based on the grayscale 8 bits, the 320GB version has twice the recording time as 160GB of memory.
 ※ Hard disk version supports real-time writing with full frame and full frame rate.

SH6-502							
Resolution	Frame rate	Recording time (memory)			Recording time (hard disk)		
		40GB	80GB	160GB	4TB	12TB	24TB
2560×2016	2000FPS	4.1(s)	8.3(s)	16.6(s)	6.9(min)	20.8(min)	41.6(min)
2560×1536	2700FPS	4(s)	8(s)	16.1(s)	6.7(min)	20.2(min)	40.4(min)
2560×1280	3000FPS	4.3(s)	8.7(s)	17.4(s)	7.2(min)	21.8(min)	43.6(min)
2560×1024	4000FPS	4.1(s)	8.1(s)	16.3(s)	6.8(min)	20.4(min)	40.9(min)
2560×512	5600FPS	5.8(s)	11.7(s)	23.4(s)	9.7(min)	29.2(min)	58.5(min)
2560×256	9000FPS	7.2(s)	14.5(s)	29.1(s)	12.1(min)	36.4(min)	72.8(min)
2560×128	12000FPS	10.9(s)	21.8(s)	43.6(s)	18.2(min)	54.6(min)	109.2(min)
2560×32	25000FPS	20.9(s)	41.9(s)	83.8(s)	34.9(min)	104.8(min)	209.7(min)

※ When the recording time is based on the grayscale 8 bits, the 320GB version has twice the recording time as 160GB of memory.
 ※ Hard disk version supports real-time writing with full frame and full frame rate.

Performance

SH6-504							
Resolution	Frame rate	Recording time (memory)			Recording time (hard disk)		
		40GB	80GB	160GB	4TB	12TB	24TB
2560X 2016	3600FPS	2.3(s)	4.6(s)	9.2(s)	3.8(min)	11.5(min)	23.1(min)
2560 X 1536	4800FPS	2.2(s)	4.5(s)	9.1(s)	3.7(min)	11.3(min)	22.7(min)
2560 X1280	5600FPS	2.3(s)	4.6(s)	9.3(s)	3.9(min)	11.7(min)	23.4(min)
2560 X512	11000FPS	2.9(s)	5.9(s)	11.9(s)	4.9(min)	14.8(min)	29.7(min)
2560 X256	17000FPS	3.8(s)	7.7(s)	15.4(s)	6.4(min)	19.2(min)	38.5(min)
2560 X128	23000FPS	5.7(s)	11.4(s)	22.8(s)	9.5(min)	28.4(min)	56.9(min)
2560 X32	50000FPS	10.4(s)	20.9(s)	41.9(s)	17.4(min)	52.4(min)	104.8(min)

※ When the recording time is based on the grayscale 8 bits, the 320GB version has twice the recording time as 160GB of memory.
 ※ Hard disk version supports real-time writing with full frame and full frame rate.

SH6-505							
Resolution	Frame rate	Recording time (memory)			Recording time (hard disk)		
		40GB	80GB	160GB	4TB	12TB	24TB
2560×2016	4500	1.8(s)	3.7(s)	7.4(s)	3(min)	9.2(min)	18.4(min)
2560×1536	5600	1.9(s)	3.9(s)	7.8(s)	3.2(min)	9.7(min)	19.5(min)
2560×1280	6600	1.9(s)	3.9(s)	7.9(s)	3.3(min)	9.9(min)	19.8(min)
2560×512	13000	2.5(s)	5(s)	10(s)	4.2(min)	12.6(min)	25.2(min)
2560×256	20000	3.2(s)	6.5(s)	13.1(s)	5.4(min)	16.3(min)	32.7(min)
2560×128	28000	4.6(s)	9.3(s)	18.7(s)	7.8(min)	23.4(min)	46.8(min)
2560×32	60000	8.7(s)	17.4(s)	34.9(s)	14.5(min)	43.6(min)	87.3(min)

※ When the recording time is based on the grayscale 8 bits, the 320GB version has twice the recording time as 160GB of memory.
 ※ Hard disk version supports real-time writing with restricted parameters.

Performance

SH6-201							
Resolution	Frame rate	Recording time (memory)			Recording time (hard disk)		
		40GB	80GB	160GB	4TB	12TB	24TB
2048×1024	1000FPS	20.4(s)	40.9(s)	81.9(s)	34.1(min)	102.4(min)	204.8(min)
2048×768	1600FPS	17(s)	34.1(s)	68.2(s)	28.4(min)	85.3(min)	170.6(min)
2048×512	2000FPS	20.4(s)	40.9(s)	81.9(s)	34.1(min)	102.4(min)	204.8(min)
2048×256	4000FPS	20.4(s)	40.9(s)	81.9(s)	34.1(min)	102.4(min)	204.8(min)
2048×128	5000FPS	32.7(s)	65.5(s)	131(s)	54.6(min)	163.8(min)	327.6(min)
2048×64	8000FPS	40.9(s)	81.9(s)	163.8(s)	68.2(min)	204.8(min)	409.6(min)
2048×32	10000FPS	65.5(s)	131(s)	262.1(s)	109.2(min)	327.6(min)	655.3(min)

※ When the recording time is based on the grayscale 8 bits, the 320GB version has twice the recording time as 160GB of memory.
 ※ Hard disk version supports real-time writing with full frame and full frame rate.

SH6-202							
Resolution	Frame rate	Recording time (memory)			Recording time (hard disk)		
		40GB	80GB	160GB	4TB	12TB	24TB
2048×1024	2000FPS	10.2(s)	20.4(s)	40.9(s)	17(min)	51.2(min)	102.4(min)
2048×768	2500FPS	10.9(s)	21.8(s)	43.6(s)	18.2(min)	54.6(min)	109.2(min)
2048×512	3000FPS	13.6(s)	27.3(s)	54.6(s)	22.7(min)	68.2(min)	136.5(min)
2048×256	4500FPS	18.2(s)	36.4(s)	72.8(s)	30.3(min)	91(min)	182(min)
2048×128	5600FPS	29.2(s)	58.5(s)	117(s)	48.7(min)	146.2(min)	292.5(min)
2048×64	12000FPS	27.3(s)	54.6(s)	109.2(s)	45.5(min)	136.5(min)	273(min)
2048×32	14000FPS	46.8(s)	93.6(s)	187.2(s)	78(min)	234(min)	468.1(min)

※ When the recording time is based on the grayscale 8 bits, the 320GB version has twice the recording time as 160GB of memory.
 ※ Hard disk version supports real-time writing with full frame and full frame rate.

Performance

SH6-204							
Resolution	Frame rate	Recording time (memory)			Recording time (hard disk)		
		40GB	80GB	160GB	4TB	12TB	24TB
2048×1024	4000FPS	5.1(s)	10.2(s)	20.4(s)	8.5(min)	25.6(min)	51.2(min)
2048×768	5000FPS	5.4(s)	10.9(s)	21.8(s)	9.1(min)	27.3(min)	54.6(min)
2048×512	5600FPS	7.3(s)	14.6(s)	29.2(s)	12.1(min)	36.5(min)	73.1(min)
2048×256	9000FPS	9.1(s)	18.2(s)	36.4(s)	15.1(min)	45.5(min)	91(min)
2048×128	12000FPS	13.6(s)	27.3(s)	54.6(s)	22.7(min)	68.2(min)	136.5(min)
2048×64	20000FPS	16.3(s)	32.7(s)	65.5(s)	27.3(min)	81.9(min)	163.8(min)
2048×32	25000FPS	26.2(s)	52.4(s)	104.8(s)	43.6(min)	131(min)	262.1(min)

※ When the recording time is based on the grayscale 8 bits, the 320GB version has twice the recording time as 160GB of memory.
 ※ Hard disk version supports real-time writing with full frame and full frame rate.

SH6-207							
Resolution	Frame rate	Recording time (memory)			Recording time (hard disk)		
		40GB	80GB	160GB	4TB	12TB	24TB
2048×1024	6600fps	3.1(s)	6.2(s)	12.4(s)	5.1(min)	15.5(min)	31(min)
2048×768	8500fps	3.2(s)	6.4(s)	12.8(s)	5.3(min)	16(min)	32.1(min)
2048×512	11000fps	3.7(s)	7.4(s)	14.8(s)	6.2(min)	18.6(min)	37.2(min)
2048×256	17000fps	4.8(s)	9.6(s)	19.2(s)	8(min)	24(min)	48.1(min)
2048×128	23000fps	7.1(s)	14.2(s)	28.4(s)	11.8(min)	35.6(min)	71.2(min)
2048×64	28000fps	11.7(s)	23.4(s)	46.8(s)	19.5(min)	58.5(min)	117(min)
2048×32	50000fps	13.1(s)	26.2(s)	52.4(s)	21.8(min)	65.5(min)	131(min)

※ When the recording time is based on the grayscale 8 bits, the 320GB version has twice the recording time as 160GB of memory.
 ※ Hard disk version supports real-time writing with full frame and full frame rate.

04 Ultra HD Series

High-speed camera with 21 megapixel and powerful performance



The ultra-high definition series (4K, 5K) are the fastest cameras with 21 megapixel launched by SinceVision for high-end scientific research, defense and military industry, aerospace, high-speed industry, and other fields. Their powerful data acquisition and processing capabilities enable them to have a maximum effective bandwidth of 160Gbps and exceed the same level of broadcasting and television image quality, providing more possibilities for high-speed imaging applications.

Core Features

Resolution 5K

5120x4096@1000fps

Resolution 4K

4096x2048@2000fps

Level of broadcasting and television image quality

Auto white balance, Intelligent denoising



Factory PRNU color correction

Factory dark field correction

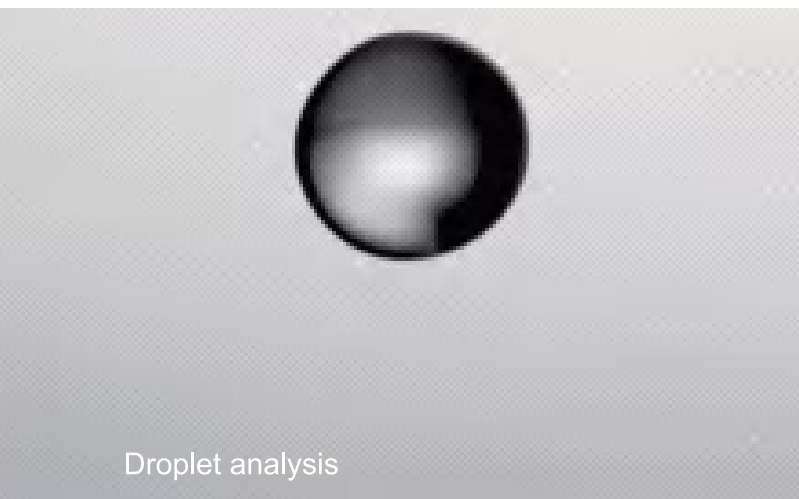
Resolution and frame rate

Continuous and dynamically adjustable

High precision (ns level)

Time synchronization

Typical Application



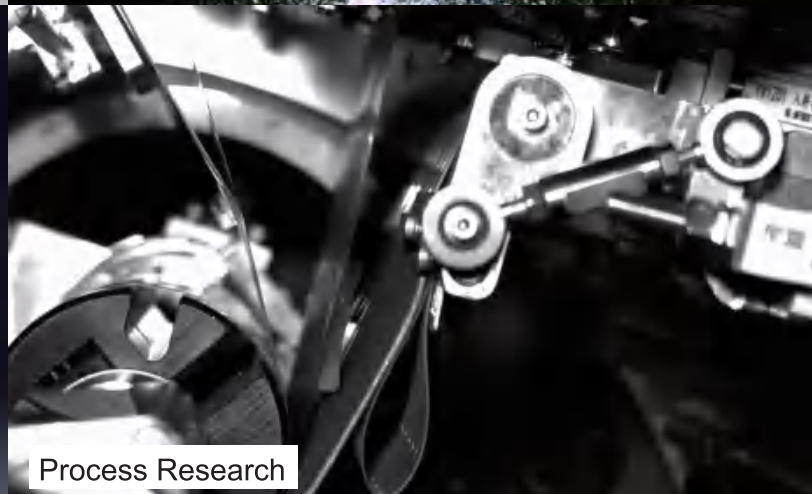
Droplet analysis



Film and television production



Drop Test



Process Research

Specifications

Model	SH6-802	SH6-2101
Full Resolution	4096×2048	5120×4096
Full Frame Rate	2000fps	1000fps
Pixel Size	4.5um	4.5um
Minimum Exposure Time	1us	
Standard RAM	40GB/80GB/160GB/320GB	
Extended Memory	4TB/12TB/24TB	
Dynamic Range	64dB	
Analog Gain	×2、×4、×8	
Bit Resolution	8bit	
Color	Monochrome (M) / Color (C)	
Sensitivity	ISO10000(M), ISO3000(C)	
Fan Control	Support turning on / off, adaptive rotary speed according to temperature, multiple levels adjusting manually	
Operating Temperature/Humidity	Standard -10~50°C, below 95% (without condensation), customizable -35~65°C wide temperature version	
Dimensions	217D×110W×110H, excluding protrusion parts	
Weight	3.8kg	
Power Consumption	55W	

Core Features

Parameter	SH6-802	SH6-2101
One-click connection	◆	◆
Auto White Balance	◆	◆
Region of Interest (ROI)	◆	◆
Binning mode (Black/white)	◆	◆

◆ Standard features ◇ Optional features

Core Features

Parameter	SH6-802	SH6-2101
Auto Gain Control (AGC)	◆	◆
Smart positioning keyframes	◆	◆
Detachable lens joint	◆	◆
Memory partition	◆	◆
Auto save	◆	◆
Image trigger	◆	◆
External trigger	◆	◆
External sync.	◆	◆
Image Optimization LUT	◆	◆
Analog Gain	◆	◆
HD-SDI	◆	◆
IRIGB	◆	◆
AE	◆	◆
EDR	◆	◆
Fan Control	◆	◆
Military aviation plug	◆	◆
10 Gigabit transmission	◆	◆
Gigabit transmission	◆	◆
Temperature monitoring	◆	◆
Military standard width temperature	◇	◇
Extended Memory	◇	◇
Motion analysis software	◇	◇
Image compression	◆	◆
Software Development Kit (SDK)	◆	◆

◆ Standard features ◇ Optional features

Performance

SH6-802							
Resolution	Frame rate	Recording time (memory)			Recording time (hard disk)		
		40GB	80GB	160GB	4TB	12TB	24TB
4096×2048	2000FPS	2.5(s)	5.1(s)	10.2(s)	4.2(min)	12.8(min)	25.6(min)
4096×1536	2500FPS	2.7(s)	5.4(s)	10.9(s)	4.5(min)	13.6(min)	27.3(min)
4096×1024	3800FPS	2.6(s)	5.3(s)	10.7(s)	4.4(min)	13.4(min)	26.9(min)
4096×832	4300FPS	2.9(s)	5.8(s)	11.7(s)	4.8(min)	14.6(min)	29.3(min)
4096×512	6900FPS	2.9(s)	5.9(s)	11.8(s)	4.9(min)	14.8(min)	29.6(min)
4096×256	11500FPS	3.5(s)	7.1(s)	14.2(s)	5.9(min)	17.8(min)	35.6(min)
4096×128	17000FPS	4.8(s)	9.6(s)	19.2(s)	8(min)	24(min)	48.1(min)
4096×64	20000FPS	8.1(s)	16.3(s)	32.7(s)	13.6(min)	40.9(min)	81.9(min)

※ When the recording time is based on the grayscale 8 bits, the 320GB version has twice the recording time as 160GB of memory.

※ Hard disk version supports real-time writing with full frame and full frame rate.

Performance

SH6-2101							
Resolution	Frame rate	Recording time (memory)			Recording time (hard disk)		
		40GB	80GB	160GB	4TB	12TB	24TB
5120×4096	1000FPS	2(s)	4(s)	8.1(s)	3.4(min)	10.2(min)	20.4(min)
5120×3072	1300FPS	2.1(s)	4.2(s)	8.4(s)	3.5(min)	10.5(min)	21(min)
5120×2048	2000FPS	2(s)	4(s)	8.1(s)	3.4(min)	10.2(min)	20.4(min)
5120×1024	3800FPS	2.1(s)	4.3(s)	8.6(s)	3.5(min)	10.7(min)	21.5(min)
5120×640	5800FPS	2.2(s)	4.5(s)	9(s)	3.7(min)	11.2(min)	22.5(min)
5120×256	11500FPS	2.8(s)	5.6(s)	11.3(s)	4.7(min)	14.2(min)	28.4(min)
5120×64	20000FPS	6.5(s)	13.1(s)	26.2(s)	10.9(min)	32.7(min)	65.5(min)

※ When the recording time is based on the grayscale 8 bits, the 320GB version has twice the recording time as 160GB of memory.

※ Hard disk version supports real-time writing with restricted parameters.

05

Mini Series - SH3

Excellent balance between the volume and heat dissipation



SH3 is another masterpiece of MINI series for high-end scientific research and industry in SinceVision's intelligent high-speed camera family, which has a perfect balance of body size and heat dissipation through its 20-layer PCB stacking design and 10Gbps Serdes on-board interconnection technology. At the same time, thanks to the self-developed array-parallel storage architecture, the maximum storage in the device can be expanded to 128GB.

Core Features

Unparalleled
clear imaging

Exceeding peers
in pixel size and
sensitivity

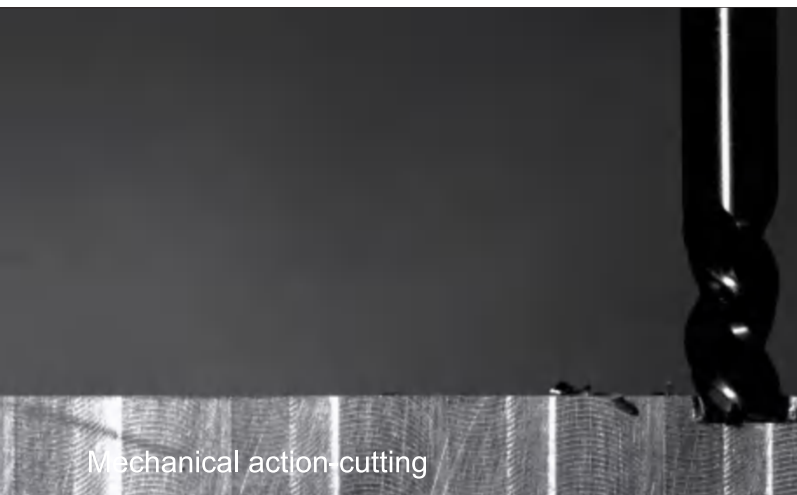
**Minimum Exposure
Time 100ns**
210ns dual-exposure
time PIV



**Intelligent image
trigger**
Quickly positioning
keyframes

Solid shell
Resist 200G
impact

Typical Application



Mechanical action-cutting



Drop test



Combustion test - flame study



Welding Detection

Performance

Model	SH3-101	SH3-103	SH3-105	SH3-108
Full Resolution	1280×1024	1280×1024	1280×1024	1280×1024
Full Frame Rate	1000fps	3000fps	5000fps	8000fps
Pixel Size	14.6um	14.6um	14.6um	14.6um
Minimum Exposure Time	100ns			
Standard RAM	16GB/32GB/64GB/128GB			
Extended Memory	1.2TB/2TB/4TB			
Dynamic Range	60dB			
Analog Gain	×2、×4、×8			
Bit Resolution	8bit			
Color	Monochrome (M) / Color (C)			
Sensitivity	ISO56000(M), ISO21000(C)			
Fan Control	Support turning on / off, adaptive rotary speed according to temperature			
Operating Temperature/Humidity	Standard -10~50°C, below 95% (without condensation), customizable -35~65°C wide temperature version			
Dimensions	90D×110W×110H, excluding protrusion parts			
Weight	1.8kg			
Power Consumption	30W			

Performance

Model	SH3-202	SH3-204	SH3-502
Full Resolution	1920×1080	1920×1080	2560×1920
Full Frame Rate	2000fps	3600fps	2000fps
Pixel Size	7.8um		
Minimum Exposure Time	100ns		
Standard RAM	16GB/32GB/64GB/128GB		
Extended Memory	1.2TB/2TB/4TB		
Dynamic Range	60dB		
Analog Gain	×2、×4、×8		
Bit Resolution	8bit		
Color	Monochrome (M) / Color (C)		
Sensitivity	ISO56000(M), ISO21000(C)		
Fan Control	Support turning on / off, adaptive rotary speed according to temperature		
Operating Temperature/Humidity	Standard -10~50°C, below 95% (without condensation), customizable -35~65°C wide temperature version		
Dimensions	90D×110W×110H, excluding protrusion parts		
Weight	1.8kg		
Power Consumption	30W		

Core Features

Parameter	SH3-101	SH3-103	SH3-105	SH3-108
One-click connection	◆	◆	◆	◆
Auto White Balance	◆	◆	◆	◆
Region of Interest (ROI)	◆	◆	◆	◆
Auto Gain Control (AGC)	◆	◆	◆	◆
Smart positioning keyframes	◆	◆	◆	◆
Detachable lens joint	◆	◆	◆	◆
Memory partition	◆	◆	◆	◆
Auto save	◆	◆	◆	◆
Image trigger	◆	◆	◆	◆
External trigger	◆	◆	◆	◆
External sync.	◆	◆	◆	◆
Image Optimization LUT	◆	◆	◆	◆
Analog Gain	◆	◆	◆	◆
IRIGB	◆	◆	◆	◆
AE	◆	◆	◆	◆
EDR	◆	◆	◆	◆
Fan Control	◆	◆	◆	◆
10 Gigabit transmission	◆	◆	◆	◆
Gigabit transmission	◆	◆	◆	◆
Dual-exposure time PIV	◆	◆	◆	◆
Military standard width temperature	◇	◇	◇	◇
Exposure time 100ns	◆	◆	◆	◆
Extended Memory	◇	◇	◇	◇
Motion analysis software	◆	◆	◆	◆
Image compression	◆	◆	◆	◆
Software Development Kit (SDK)	◆	◆	◆	◆

Core Features

Parameter	SH3-202	SH3-204	SH3-502
One-click connection	◆	◆	◆
Auto White Balance	◆	◆	◆
Region of Interest (ROI)	◆	◆	◆
Auto Gain Control (AGC)	◆	◆	◆
Smart positioning keyframes	◆	◆	◆
Detachable lens joint	◆	◆	◆
Memory partition	◆	◆	◆
Auto save	◆	◆	◆
Image trigger	◆	◆	◆
External trigger	◆	◆	◆
External sync.	◆	◆	◆
Image Optimization LUT	◆	◆	◆
Analog Gain	◆	◆	◆
IRIGB	◆	◆	◆
AE	◆	◆	◆
EDR	◆	◆	◆
Fan Control	◆	◆	◆
10 Gigabit transmission	◆	◆	◆
Gigabit transmission	◆	◆	◆
Dual-exposure time PLV	◆	◆	◆
Military standard width temperature	◇	◇	◇
Exposure time 100ns	◆	◆	◆
Extended Memory	◇	◇	◇
Motion analysis software	◆	◆	◆
Image compression	◆	◆	◆
Software Development Kit (SDK)	◆	◆	◆

◆ Standard features ◇ Optional features

Performance

SH3-101							
Resolution	Frame rate	Recording time (memory)			Recording time (hard disk)		
		16GB	32GB	64GB	1.2TB	2TB	4TB
1280×1024	1000FPS	13.1(s)	26.2(s)	52.4(s)	16.7(min)	27.9(min)	55.9(min)
1280×768	1300FPS	13.4(s)	26.8(s)	53.7(s)	17.2(min)	28.6(min)	57.3(min)
1280×512	2000FPS	13.1(s)	26.2(s)	52.4(s)	16.7(min)	27.9(min)	55.9(min)
1280×256	3900FPS	13.4(s)	26.8(s)	53.7(s)	17.2(min)	28.6(min)	57.3(min)
1280×128	7700FPS	13.6(s)	27.2(s)	54.4(s)	17.4(min)	29(min)	58.1(min)
1280×8	73000FPS	22.9(s)	45.9(s)	91.9(s)	29.4(min)	49(min)	98(min)

※ The 128GB version has twice the recording time as 64GB of memory.

※ The above recording time is based on the grayscale 8 bits.

※ Hard disk version SH3-101/103 supports real-time writing. SH3-105/108 supports real-time writing with restricted parameters.

※ The hard disk version of MINI series supports real-time write speeds at 31Gbps (Max.).

SH3-103							
Resolution	Frame rate	Recording time (memory)			Recording time (hard disk)		
		16GB	32GB	64GB	1.2TB	2TB	4TB
1280×1024	3000FPS	4.3(s)	8.7(s)	17.4(s)	5.5(min)	9.3(min)	18.6(min)
1280×768	4000FPS	4.3(s)	8.7(s)	17.4(s)	5.5(min)	9.3(min)	18.6(min)
1280×512	6000FPS	4.3(s)	8.7(s)	17.4(s)	5.5(min)	9.3(min)	18.6(min)
1280×256	11900FPS	4.4(s)	8.8(s)	17.6(s)	5.6(min)	9.3(min)	18.7(min)
1280×128	23100FPS	4.5(s)	9(s)	18.1(s)	5.8(min)	9.6(min)	19.3(min)
1280×8	219000FPS	7.6(s)	15.3(s)	30.6(s)	9.8(min)	16.3(min)	32.6(min)

※ The 128GB version has twice the recording time as 64GB of memory.

※ The above recording time is based on the grayscale 8 bits.

※ Hard disk version SH3-101/103 supports real-time writing. SH3-105/108 supports real-time writing with restricted parameters.

※ The hard disk version of MINI series supports real-time write speeds at 31Gbps (Max.).



Performance

SH3-105							
Resolution	Frame rate	Recording time (memory)			Recording time (hard disk)		
		16GB	32GB	64GB	1.2TB	2TB	4TB
1280×1024	5000FPS	2.6(s)	5.2(s)	10.4(s)	3.3(min)	5.5(min)	11.1(min)
1280×768	6700FPS	2.6(s)	5.2(s)	10.4(s)	3.3(min)	5.5(min)	11.1(min)
1280×512	10000FPS	2.6(s)	5.2(s)	10.4(s)	3.3(min)	5.5(min)	11.1(min)
1280×256	19900FPS	2.6(s)	5.2(s)	10.5(s)	3.3(min)	5.6(min)	11.2(min)
1280×128	39000FPS	2.6(s)	5.3(s)	10.7(s)	3.4(min)	5.7(min)	11.4(min)
1280×8	367000FPS	4.5(s)	9.1(s)	18.2(s)	5.8(min)	9.7(min)	19.5(min)

※ The 128GB version has twice the recording time as 64GB of memory.

※ The above recording time is based on the grayscale 8 bits.

※ Hard disk version SH3-101/103 supports real-time writing. SH3-105/108 supports real-time writing with restricted parameters.

※ The hard disk version of MINI series supports real-time write speeds at 31Gbps (Max.).

SH3-108							
Resolution	Frame rate	Recording time (memory)			Recording time (hard disk)		
		16GB	32GB	64GB	1.2TB	2TB	4TB
1280×1024	8000FPS	1.6(s)	3.2(s)	6.5(s)	2(min)	3.4(min)	6.9(min)
1280×768	10700FPS	1.6(s)	3.2(s)	6.5(s)	2(min)	3.4(min)	6.9(min)
1280×512	16000FPS	1.6(s)	3.2(s)	6.5(s)	2(min)	3.4(min)	6.9(min)
1280×256	31700FPS	1.6(s)	3.3(s)	6.6(s)	2.1(min)	3.5(min)	7(min)
1280×128	61500FPS	1.7(s)	3.4(s)	6.8(s)	2.1(min)	3.6(min)	7.2(min)
1280×8	585000FPS	2.8(s)	5.7(s)	11.4(s)	3.6(min)	6.1(min)	12.2(min)

※ The 128GB version has twice the recording time as 64GB of memory.

※ The above recording time is based on the grayscale 8 bits.

※ Hard disk version SH3-101/103 supports real-time writing. SH3-105/108 supports real-time writing with restricted parameters.

※ The hard disk version of MINI series supports real-time write speeds at 31Gbps (Max.).

Performance

SH3-202							
Resolution	Frame rate	Recording time (memory)			Recording time (hard disk)		
		16GB	32GB	64GB	1.2TB	2TB	4TB
1920×1080	2000FPS	4.1(s)	8.2(s)	16.5(s)	5.3(min)	8.8(min)	17.6(min)
1920×640	3500FPS	3.9(s)	7.9(s)	15.9(s)	4.7(min)	7.9(min)	15.9(min)
1920×512	4000FPS	4.3(s)	8.7(s)	17.4(s)	5.5(min)	9.3(min)	18.6(min)
1920×256	8000FPS	4.3(s)	8.7(s)	17.4(s)	5.5(min)	9.3(min)	18.6(min)
1920×128	16000FPS	4.3(s)	8.7(s)	17.4(s)	5.5(min)	9.3(min)	18.6(min)
1920×8	200000FPS	5.5(s)	11.1(s)	22.3(s)	7.1(min)	11.9(min)	23.8(min)

※ When the recording time is based on the grayscale 8 bits, the 128GB version has twice the recording time as 64GB of memory.

※ Hard disk version supports real-time writing with restricted parameters.

SH3-204					
Resolution	Frame rate	Recording time (memory)			
		16GB	32GB	64GB	128GB
1920×1080	3600FPS	2.3(s)	4.6(s)	9.2(s)	18.4(s)
1920×640	6000FPS	2.3(s)	4.6(s)	9.3(s)	18.6(s)
1920×512	7500FPS	2.3(s)	4.6(s)	9.3(s)	18.6(s)
1920×256	15000FPS	2.3(s)	4.6(s)	9.3(s)	18.6(s)
1920×128	29800FPS	2.3(s)	4.6(s)	9.3(s)	18.7(s)
1920×8	365000FPS	3(s)	6.1(s)	12.2(s)	24.5(s)

※ When the recording time is based on the grayscale 8 bits, the 128GB version has twice the recording time as 64GB of memory.

※ Hard disk version supports real-time writing with restricted parameters.

Performance

SH3-502					
Resolution	Frame rate	Recording time (memory)			
		16GB	32GB	64GB	128GB
2560×1920	2000FPS	1.7(s)	3.4(s)	6.9(s)	13.9(s)
2560×1440	2700FPS	1.7(s)	3.4(s)	6.9(s)	13.8(s)
2560×960	4000FPS	1.7(s)	3.4(s)	6.9(s)	13.9(s)
2560×512	7500FPS	1.7(s)	3.4(s)	6.9(s)	13.9(s)
2560×256	15000FPS	1.7(s)	3.4(s)	6.9(s)	13.9(s)
2560×128	29800FPS	1.7(s)	3.5(s)	7(s)	14(s)
2560×8	365000FPS	2.2(s)	4.5(s)	9.1(s)	18.3(s)

※ When the recording time is based on the grayscale 8 bits, the 128GB version has twice the recording time as 64GB of memory.

※ Hard disk version supports real-time writing with restricted parameters.

06

Smart Series

Lightweight and portable,
with comprehensive functions



This series is another masterpiece of SinceVision high-speed camera family for high-end scientific research and national defense. Through the integrated hardware and software circuit design, the volume is further reduced, but the performance is uncompromising. It is equipped with a new CMOS sensor to provide excellent resolution and fine image details. Thanks to the self-developed flash parallel storage architecture, TB-level non-volatile storage can be obtained without changing the volume, making it possible to record for a long time.

Core Features

HD image quality

1080P@3200FPS (MAX.)

Standard 10 Gigabit Ethernet transmission interface

Compatible with 2.5G / 1G / 100Mbps network bandwidth

Minimum Exposure Time 100ns

150ns dual-exposure time PIV



Multiple interfaces

Standard RS422 serial communication interface and 3G-SDI interface

Ultimate size

It has excellent environmental adaptability

Typical Application



Measurement in Shooting Range



Vehicle Crash Test



Microimaging



Application Test in Drones

Specifications

Model	SH2-201	SH2-202	SH2-203
Full Resolution	1920×1080	1920×1080	1920×1080
Full Frame Rate	1200fps	2200fps	3200fps
Pixel Size	10um	10um	10um
Minimum Exposure Time	100ns		
Standard RAM	16GB/64GB/512GB/1TB/2TB		
Dynamic Range	60dB		
Analog Gain	×2、×4、×8		
Bit Resolution	8bit		
Dual-exposure time PLV	150ns		
Color	Monochrome (M) / Color (C)		
Sensitivity	ISO30000(M), ISO10000(C)		
Fan Control	Support turning on / off, adaptive rotary speed according to temperature, multiple levels adjusting manually		
Operating Temperature/Humidity	Standard -10~50°C, below 95% (without condensation), customizable -40~65°C wide temperature version		
Dimensions	89D×72W×72H, excluding protrusion parts		
Weight	<0.65Kg (C port) 0.73kg (E port)		
Power Consumption	30W		

Parameter	SH2-201	SH2-202	SH2-203
One-click connection	◆	◆	◆
Auto White Balance	◆	◆	◆
Region of Interest (ROI)	◆	◆	◆
Auto Gain Control (AGC)	◆	◆	◆
Smart positioning keyframes	◆	◆	◆
Detachable lens joint	◆	◆	◆
Memory partition	◆	◆	◆

◆ Standard features ◇ Optional features

Core Features

Parameter	SH2-201	SH2-202	SH2-203
Auto save	◆	◆	◆
Image trigger	◆	◆	◆
External trigger	◆	◆	◆
External sync.	◆	◆	◆
Image Optimization LUT	◆	◆	◆
Analog Gain	◆	◆	◆
3G SDI	◆	◆	◆
IRIGB AC	◆	◆	◆
IRIGB DC	◆	◆	◆
RS 422	◆	◆	◆
AE	◆	◆	◆
EDR	◆	◆	◆
Fan Control	◆	◆	◆
10 Gigabit transmission	◆	◆	◆
2.5G transmission	◆	◆	◆
Gigabit transmission	◆	◆	◆
Dual-exposure time PIV	◆	◆	◆
Military standard width temperature	◇	◇	◇
Temperature monitoring	◆	◆	◆
Protection level IP65	◆	◆	◆
Resist 200G impact	◇	◇	◇
Motion analysis software	◆	◆	◆
Image compression	◆	◆	◆
Software Development Kit (SDK)	◆	◆	◆

◆ Standard features ◇ Optional features

Performance

SH2-201					
Resolution	Frame rate	Recording time (memory)			
		16GB	64GB	1TB	2TB
1920×1080	1200FPS	6.9(s)	27.6(s)	7(min)	14(min)
1920×720	1800FPS	6.9(s)	27.6(s)	7(min)	14(min)
1920×512	2500FPS	6.9(s)	27.6(s)	7(min)	14(min)
1920×256	4900FPS	7(s)	28(s)	7(min)	14(min)
1920×128	9600FPS	7(s)	28(s)	7(min)	14(min)
1920×8	82500FPS	13.5(s)	54(s)	13(min)	27(min)
1920×4	110000FPS	20.3(s)	81.2(s)	20(min)	41(min)

※ The 1TB version has twice the recording time as 512GB of memory, and so on for other versions.
 ※ The recording time is based on the grayscale 8 bits.

SH2-202					
Resolution	Frame rate	Recording time (memory)			
		16GB	64GB	1TB	2TB
1920×1080	2200FPS	3.7(s)	14.8(s)	3.8(min)	7.6(min)
1920×720	3300FPS	3.7(s)	14.8(s)	3.8(min)	7.6(min)
1920×512	4600FPS	3.8(s)	15.2(s)	3.8(min)	7.6(min)
1920×256	9200FPS	3.8(s)	15.2(s)	3.8(min)	7.6(min)
1920×128	17900FPS	3.8(s)	15.2(s)	3.8(min)	7.6(min)
1920×8	153000FPS	7.3(s)	29.2(s)	7.4(min)	14.8(min)
1920×4	205000FPS	10.9(s)	43.6(s)	11(min)	22(min)

※ The 1TB version has twice the recording time as 512GB of memory, and so on for other versions.
 ※ The recording time is based on the grayscale 8 bits.

Performance

SH2-203					
Resolution	Frame rate	Recording time (memory)			
		16GB	64GB	1TB	2TB
1920×1080	3200FPS	2.5(s)	10(s)	2.6(min)	5.2(min)
1920×720	4800FPS	2.5(s)	10(s)	2.6(min)	5.2(min)
1920×512	6800FPS	2.5(s)	10(s)	2.6(min)	5.2(min)
1920×256	13500FPS	2.5(s)	10(s)	2.6(min)	5.2(min)
1920×128	26200FPS	2.6(s)	10.4(s)	2.6(min)	5.2(min)
1920×8	224000FPS	5(s)	20(s)	5.1(min)	10.2(min)
1920×4	300000FPS	7.4(s)	29.6(s)	7.5(min)	15.1(min)

※ The 1TB version has twice the recording time as 512GB of memory, and so on for other versions.

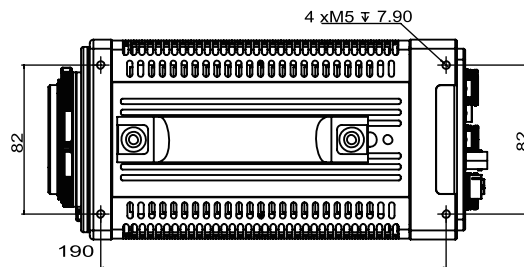
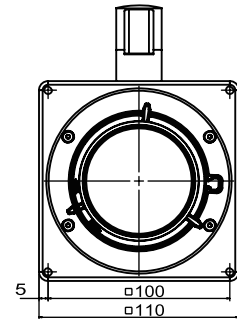
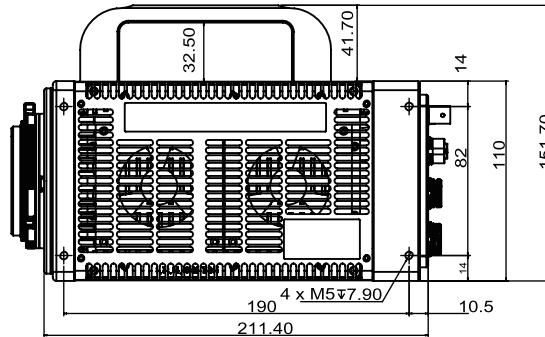
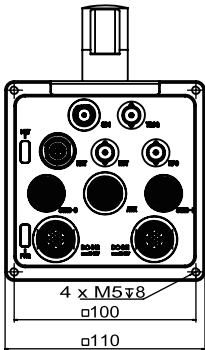
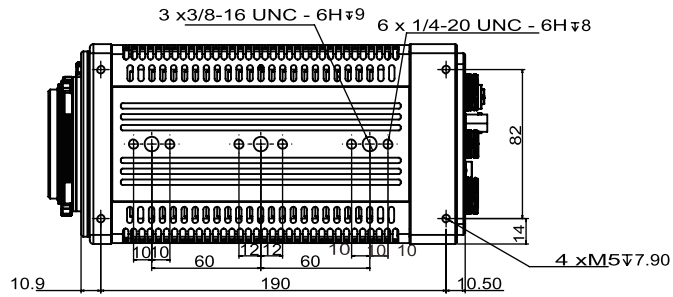
※ The recording time is based on the grayscale 8 bits.

07 Dimensional Drawings

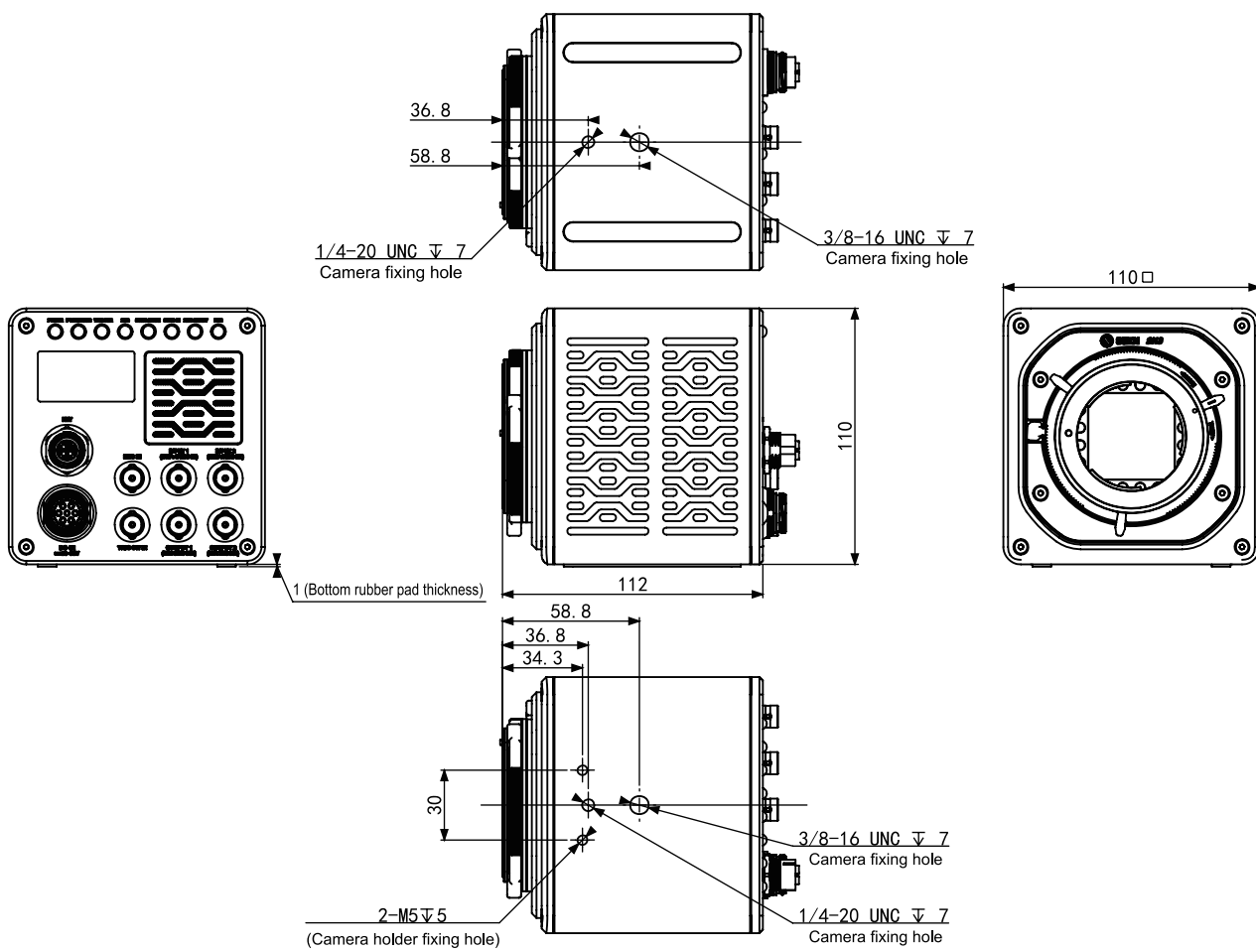
Ultra High-Speed Series

High-speed HD Series

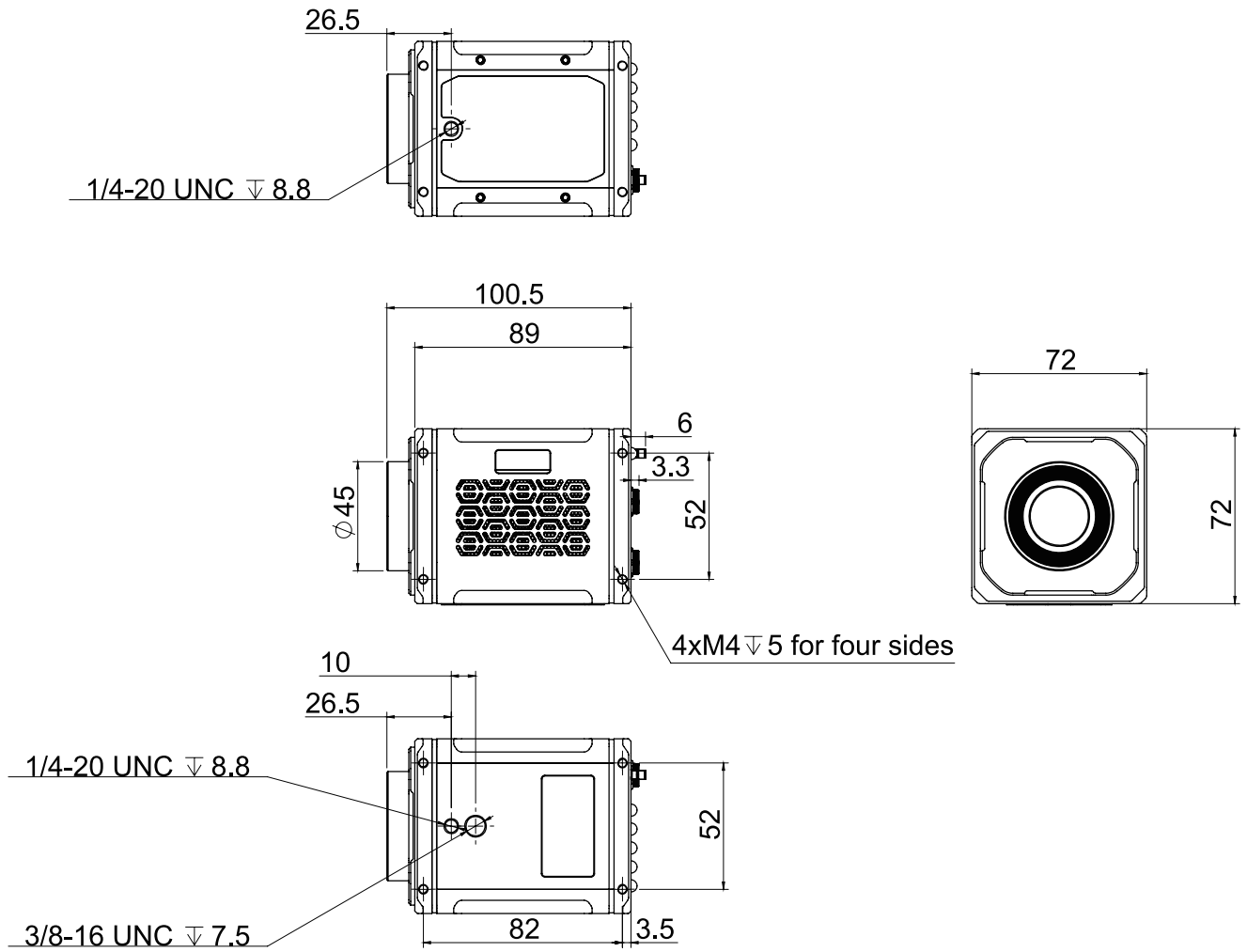
Ultra HD Series



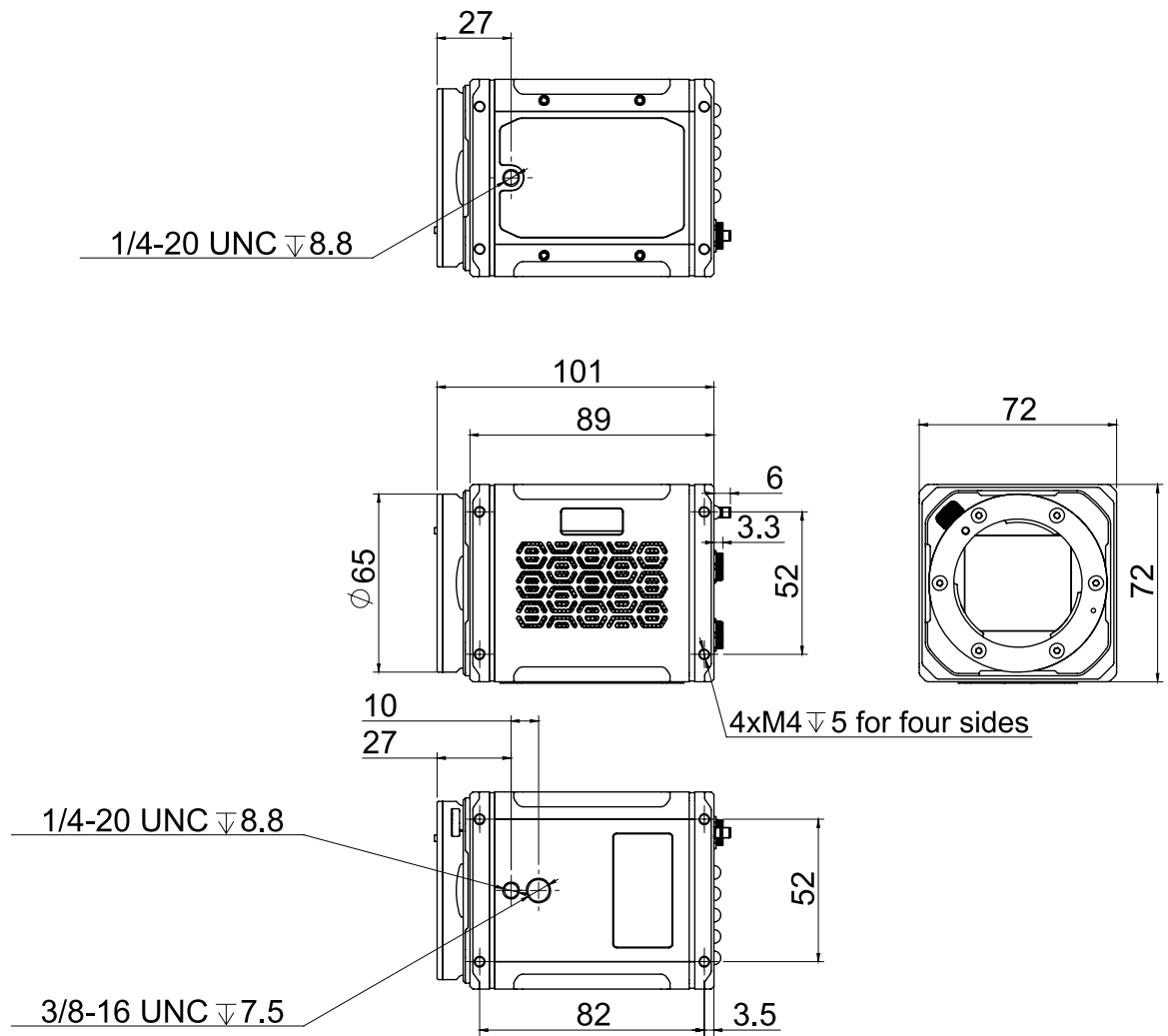
MINI Series



SH2 Smart Series (C-Mount)



SH2 Smart Series (E-Mount)



● **Service covering:**

China: Shenzhen, Suzhou (Kunshan), Shanghai, Wuxi, Beijing, Chengdu, Ningde, Taiwan, Wuhan, Xi'an, Hefei, Dongguan
Overseas: South Korea, Vietnam, Thailand, Malaysia, Singapore

SHENZHEN SINCEVISION TECHNOLOGY CO., LTD.

Headquarters:

5th Floor, Building 2, Chongwen Industrial Park, Nanshan Zhiyuan, Nanshan District, Shenzhen, China

Dongguan Office:

Room 406, Building F4, Tian'an Digital City, Nancheng District, Dongguan City, Guangdong Province, China

North China Office:

Room 808, Building 3, Jinmao Plaza, Auto Museum East Road, Fengtai District, Beijing, China

East China Office:

Room 1305, Building 7, Xiangyu Liang'an Trade Center, No.1588, Chuangye Road, Kunshan, Jiangsu Province, China

Southwest China Office:

Room 604, Block B, Yingchuang International Building, No. 66, Chuangzhi South 1st Road, Pidu District, Chengdu

Northwest China Office:

Room 601, Chuangke Building, Cuihua Road, Yanta District, Xi'an City, Shaanxi Province, China

Website: www.cnsszn.com Tel: 0755-29655425 400-966-0626



SinceVision's
Linked in Account



SinceVision's
YouTube Account

The product information and images in this brochure are for reference only. As the products are constantly updated, please refer to the actual products. SinceVision reserves the right of final interpretation and revision of this brochure.